



## T88

### Top Flow Single Liquid BAG HOUSINGS

T88 Top Flow Single Liquid Bag Housings effectively remove dirt, pipe scale, and other contaminants from process liquids. Quality construction and design assure clean effluent and protection for all downstream equipment.

#### APPLICATIONS

- Chemical
- General Industrial
- Oil and Gas
- Water

#### HOUSING OPERATION

Unfiltered liquid enters the housing above the filter bag or strainer basket, fills the interior of the housing and continues through the bag or strainer basket. Solids are trapped inside the filter bag or strainer and easily removed when the housing is serviced. The standard o-ring seal between the basket and the housing ensures a positive seal to prevent bypass.

#### HOUSING OPTIONS

- 300 PSI pressure rating
- Mesh-lined strainer baskets
- Alternative o-ring materials
- Adjustable support legs
- ASME code U or UM

#### FEATURES

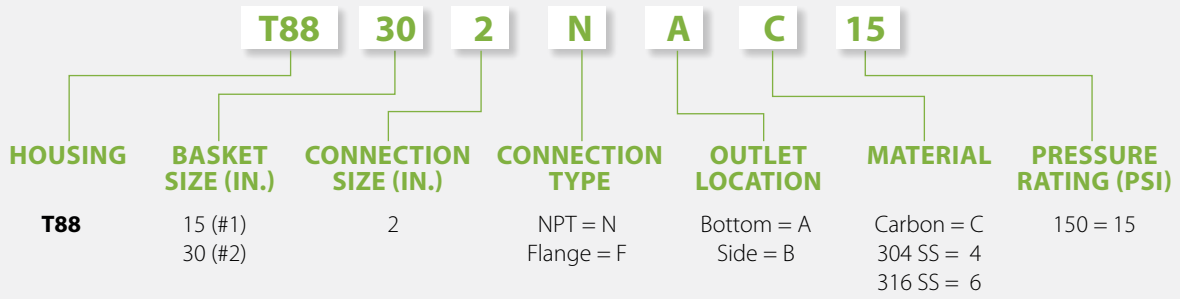
- Flow rates up to 220 gpm
- Two lengths available, 15- and 30-inch, depending upon the required surface area and volume of fluid to be filtered
- Carbon steel and 304 or 316 Stainless Steel construction
- Each vessel is factory hydro-tested
- Low pressure drop
- Quick-swing closure with eye nuts
- Differential, drain and vent ports
- Adjustable support legs
- 304 Stainless Steel basket
- Two-part epoxy paint finish on carbon steel vessels
- Accepts #1-size and #2-size bag filters

#### SPECIFICATIONS

Pressure Rating	150 PSI at 300° F (up to 300 PSI optional)
Connections	2-inch (NPT)(FLG)
Housing Lid	4-bolt swing closure with 0.25-inch NPT vent port
Lid Seal	Viton® o-ring
Inlets/Outlets	Side inlet/bottom outlet; side inlet/side outlet; side inlet/90° bottom outlet
Pressure Ports	Two 0.25-inch NPT
Construction/Finish	Carbon steel w/two-part epoxy finish; 304 or 316 Stainless Steel w/satin finish
Basket Material	304 Stainless Steel with 9/64-inch perforations
Bags Sizes	#1 and #2 liquid bags accepted
Base	Adjustable tripod leg assembly

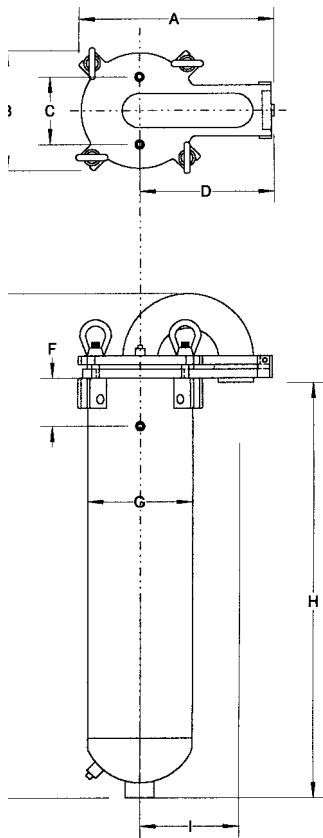
## ORDERING INFORMATION

Custom configurations available; please contact Customer Service.

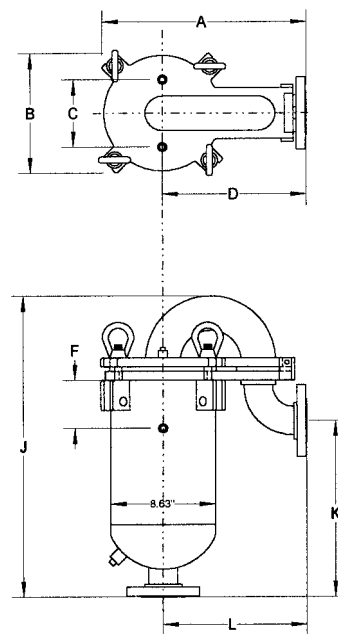


## DIMENSIONS

### NPT CONNECTION



### FLANGED CONNECTION



### NPT CONNECTION (IN.)

Model	A	B	C	D	E	F	G	H	I
T88-15	16	10	6	11	23	4	8.63	15	8
T88-30	16	10	6	11	41	4	8.63	33	8

### FLANGED CONNECTION (IN.)

Model	A	B	C	D	G	J	K	L
T88-15	17.75	10	6	12.25	8.63	23.5	11.25	12.75
T88-30	17.75	10	6	12.25	8.63	41.5	29.25	12.75

All dimensions are approximate.