



## OEM M88

### 100 PSI Liquid BAG HOUSINGS

OEM M88 100 PSI Liquid Bag Housings are superb quality vessels for lower pressure applications. They effectively remove dirt, pipe scale, and other contaminants from process liquids. Quality construction and design assure clean effluent and protection for all downstream equipment.

#### APPLICATIONS

- Chemical
- General Industrial
- Oil and Gas
- Water

#### HOUSING OPERATION

Unfiltered liquid enters the housing above the filter bag or strainer basket; fills the interior of the housing; and continues through the bag or strainer basket. Solids are trapped inside the filter bag or strainer and easily removed when the housing is serviced. The standard o-ring seal between the basket and the housing ensures a positive seal to prevent bypass.

#### HOUSING OPTIONS

- 300 PSI pressure rating
- Mesh-lined strainer baskets
- Alternative o-ring materials
- Adjustable support legs

#### FEATURES

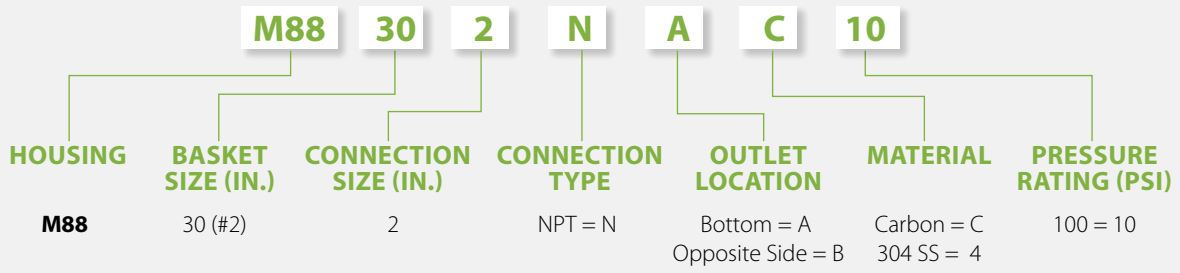
- Flow rates to 220 gpm
- Dome base
- Carbon steel and 304 Stainless Steel construction
- Each vessel is factory hydro-tested
- Low pressure drop with #12 size bag
- 3-bolt swing lid with eye nuts
- Buna-N® seal-lid
- Differential, drain, and vent ports
- 304 Stainless Steel strainer basket
- 2-inch female NPT connections
- Side and bottom outlets
- Differential, drain and vent ports
- Two-part epoxy paint finish on carbon vessels; satin finish on Stainless Steel vessels
- Accepts #12-size bag filters — offers 25% more surface area than standard #2-size bag filters

#### SPECIFICATIONS

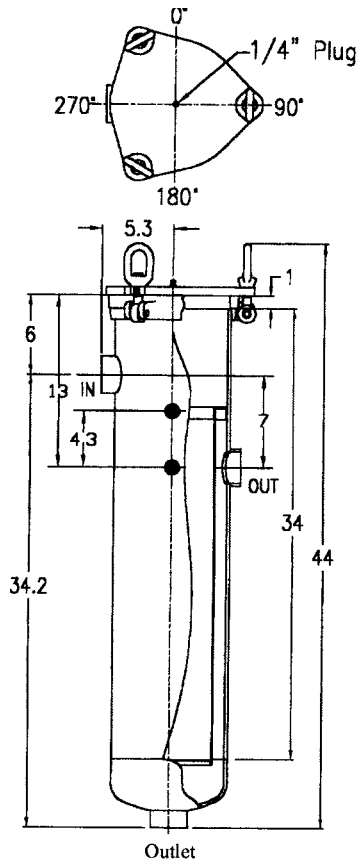
|                     |   |
|---------------------|---|
| Pressure Rating     | 150 PSI at 200° F   |
| Connections         | 2-inch (NPT)  |
| Housing Lid         | 3-bolt swing closure with vent port   |
| Lid Seal            | Buna-N®   |
| Inlets/Outlets      | Side inlet/bottom outlet; side inlet/side outlet; side inlet/90° bottom outlet  |
| Pressure Ports      | Two differential ports measure pressure across filter bag                       |
| Construction/Finish | Carbon steel w/two-part epoxy finish; 304 or 316 Stainless Steel w/satin finish |
| Basket Material     | 304 Stainless Steel with 9/64-inch perforations                                 |
| Bags Sizes          | #12 liquid bag accepted   |
| Base                | Adjustable tripod leg assembly  |

## ORDERING INFORMATION

Custom configurations available; please contact Customer Service.



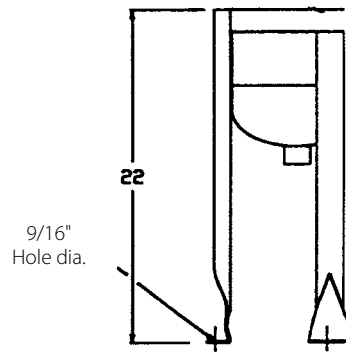
## DIMENSIONS



All dimensions are approximate.

**Note:** This housing requires a standard #12 size liquid filter bag.

## ADJUSTABLE SUPPORT LEGS



## #12 BAG DATA (IN.)

| Length | Diameter | Surface Area    |
|--------|----------|-----------------|
| 30     | 8        | 5.5 square feet |