



Multi-Round

Liquid BAG HOUSINGS

Multi-Round Liquid Bag Housings effectively remove dirt, pipe scale, and other contaminants from process liquids. Quality construction and design assure clean effluent and protection for all downstream equipment.

APPLICATIONS

- Chemical
- General Industrial
- Oil and Gas
- Water

HOUSING OPERATION

Unfiltered liquid enters the housing above the filter bags or strainer baskets, fills the interior of the housing and continues through the bag or strainer basket. Solids are trapped inside the filter bags or strainers and easily removed when the housing is serviced.

HOUSING OPTIONS

- 300 PSI pressure rating
- Mesh-lined strainer baskets
- Alternative o-ring materials
- Heavy-duty support legs

FEATURES

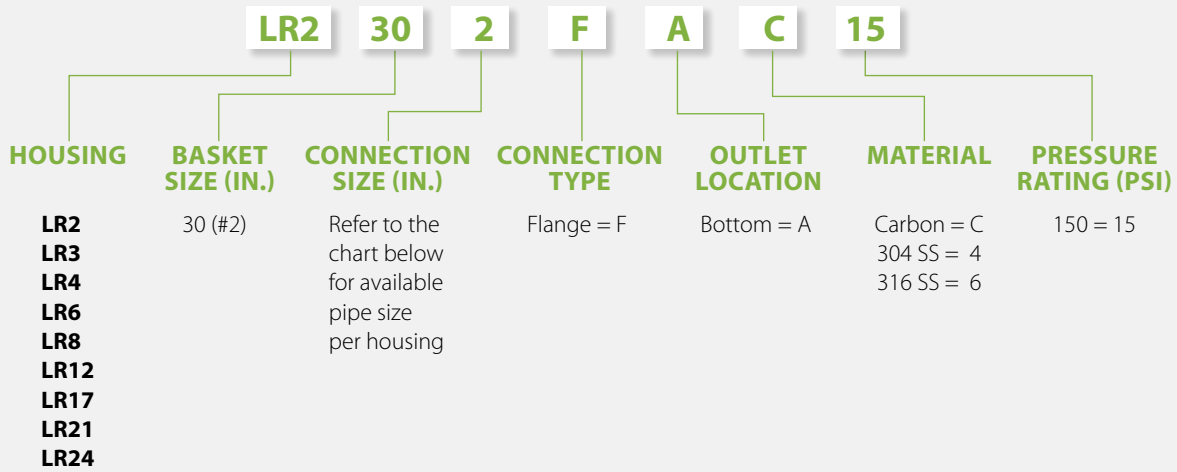
- Flow rates up to 3500 gpm
- 2 basket to 24 basket housing designs, depending upon the required surface area and volume of fluid to be filtered
- Carbon steel and 304, or 316 Stainless Steel material
- Each vessel is factory hydro-tested
- Low pressure drop
- Swing bolts with bearing-assisted davit closure
- Buna-N® seals — lid and basket
- Differential, drain, and vent ports
- 304 Stainless Steel strainer basket for 304 Stainless Steel housings and Carbon Steel housing
- 316 Stainless Steel strainer basket in 316 Stainless Steel housings
- Two-part epoxy finish on carbon vessels
- Accepts #2-size bag filters
- Hydraulic lid lift

SPECIFICATIONS

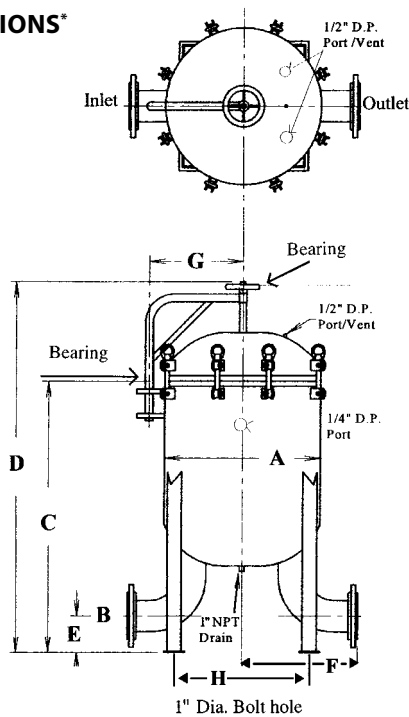
Model	Maximum Dimensions
Pressure Rating	150 PSI at 300° F (up to 300 PSI optional)
Connections	2-, 3-, 4-, 6-, 8-, 10- or 12-inch RF FLG
Housing Lid	Swing bolts with davit cover lift
Lid & Basket Seals	Buna-N®
Pressure Ports	Two differential ports measure pressure across filter bag
Construction/Finish	Carbon steel w/two-part epoxy finish; 304 or 316 Stainless Steel w/satin finish
Basket Material	304 Stainless Steel stainer basket for 304 Stainless Steel housings and Carbon Steel housings with 9/64-inch perforations; 316 Stainless Steel strainer basket for 316 Stainless Steel housings with 9/64-inch perforations
Bags Sizes	#2 liquid bags accepted
Base	Heavy duty support legs

ORDERING INFORMATION

Custom configurations available; please contact Customer Service.



DIMENSIONS*



* For reference purposes only.

BASKET DATA

Housing	Number of Baskets	Straining Filtering Area (sq. ft.)	Standard Pipe Size Available (in.)	Nominal Flow Rate (gpm)
LR2	2	8.8	2, 3, 4	400
LR3	3	13.2	2, 3, 4	600
LR4	4	17.6	3, 4, 6	800
LR6	6	26.4	3, 4, 6	1200
LR8	8	35.2	4, 6, 8	1600
LR12	12	44.0	6, 8, 10	2100
LR17	17	74.8	8, 10, 12	3500
LR21	21	92.4	8, 10, 12	4300
LR24	24	92.4	8, 10, 12	4300

DIMENSIONS* (IN.)

Housing	Pipe Size	A	B	C	D	E	F	G	Leg Bolt Center H	Weight Approx. (lbs.)
LR2	2		2				Call factory			
	3	16"	3				Call factory			
	4		4				Call factory			
LR3	2		2	40.6	56.1	5.0	10.3	11.9	12.0	410
	3	18"	3	43.0	59.0	5.8	11.0	11.9	12.0	435
	4		4	49.0	65.5	6.5	12.75	11.9	12.0	460
LR4	2		2	48.3	67.0	5.0	11.5	15.0	16.5	535
	3	22"	3	49.8	68.5	6.0	12.9	15.0	16.5	555
	4		4	52.5	70.0	6.5	14.5	15.0	16.5	590
LR6	3		3	49.8	68.5	6.0	12.9	15.0	16.5	535
	4	26"	4	52.5	70.0	6.5	14.5	15.0	16.5	555
	6		6	50.1	67.6	7.0	16.8	15.0	16.5	590
LR8	3		3	51.5	68.9	6.0	15.1	18.0	20.8	665
	4	30"	4	53.0	70.4	7.0	16.4	18.0	20.8	705
	6		6	50.5	71.0	8.0	19.1	18.0	20.8	850
LR12	4		4	51.8	76.8	6.5	20.5	21.0	24.7	870
	6	36"	6	52.0	76.5	8.3	22.5	21.0	24.7	1010
	8		8	54.5	79.0	10.8	23.8	21.0	24.7	1150
LR17	6		6	59.2	80.7	8.3	25.1	24.0	29.0	1960
	8	42"	8	63.5	85.0	9.5	26.1	24.0	29.0	2070
	10		10	68.0	89.5	11.0	27.2	24.0	29.0	2200
LR21	8		8	59.9	85.2	8.3	28.8	27.0	33.2	2200
	10	48"	10	64.4	89.7	9.5	29.8	27.0	33.2	2350
	12		12	69.2	94.5	11.0	32.3	27.0	33.2	2530
LR24	8		8	59.9	85.2	8.3	28.8	27.0	33.2	2200
	10	48"	10	64.4	89.7	9.5	29.8	27.0	33.2	2350
	12		12	69.2	94.5	11.0	32.3	27.0	33.2	2530

All dimensions are approximate.