



In-Line Series

STRAINER HOUSINGS

In-Line Series Strainer Housings offer a wide variety of filtration capabilities and flow rates.

APPLICATIONS

- Commercial
- Industrial

HOUSING OPTIONS

- Higher PSI pressure ratings
- Filtration from 2 to 2000 microns
- ASME Code U or UM
- Mesh-lined strainer baskets

FEATURES

- Flow rates from 1 to 1000 gpm
- In-line connections
- Many standard connection sizes
- High dirt load capacity
- 3-bolt swing lid with eye nuts
- High capacity basket with positive hold down spring
- Vent, drain and gauge ports
- Each vessel is factory hydro-tested
- Carbon steel and 304 or 316 Stainless Steel construction
- Two-part epoxy finish on carbon steel
- Buna-N® lid and basket o-rings

SPECIFICATIONS

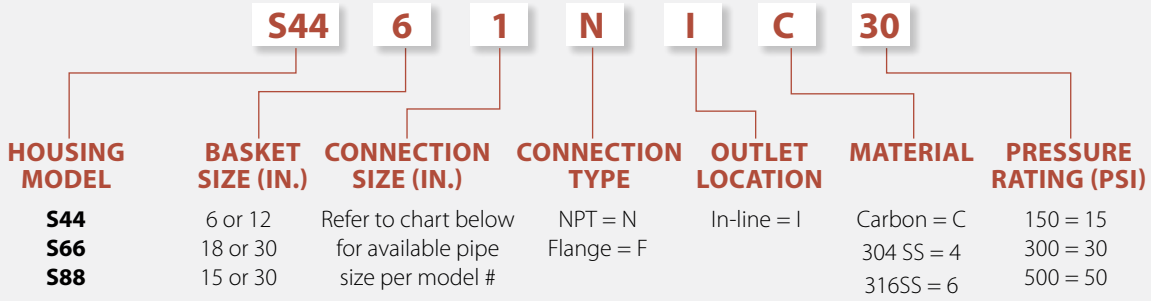
Pressure Rating	150 PSI and 300 PSI
Housing Lid	3-bolt swing closure with vent port
Housing Ports	Two differential pressure ports and one vent and drain port
Construction/Finish	Carbon steel w/two-part epoxy finish; 304 or 316 Stainless Steel w/satin finish
Baskets	316 Stainless Steel with omega positive hold-down spring
Seals	Lid and basket: Buna-N® o-rings

Additional Housings and Cartridges

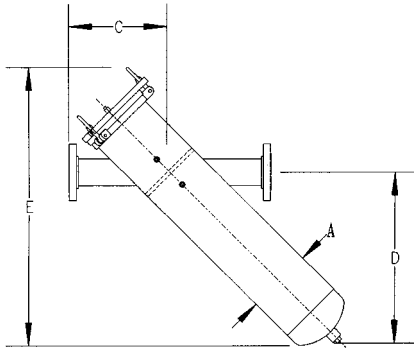
In-Line Series Strainer Housings 116-117
 ComPro Comm/Industrial Reverse Osmosis System . . 118-119
 Strainer Baskets 120-121
 Hydraulic Cartridge Housings 122-123
 Multi-Round Series Hydraulic
 Cartridge Housings 124-125
 Hydraulic Cartridges 126

ORDERING INFORMATION

Custom configurations available; please contact Customer Service.



DIMENSIONS (IN.)



Housing	Surface Area (sq. in.)	A Tank Dia. (in.)	Basket Size (in.)	Conn Size (in.)	C	D	E	Req'd Service Height	Weight Approx. (lbs.)
S446	75	4	6	.75	9.75	6.5	16.5	8	28
				1	9.75	6.5	16.5	8	
				1.25	9.75	6.5	16.5	8	
				1.50	9.75	6.5	16.5	8	
S4412	135	4	12	.75	11	11	21	14	32
				1	11	11	21	14	
				1.25	11	11	21	14	
				1.50	11	11	21	14	
S6618	280	6	18	1	12	12.25	22	20	45
				1.25	12	12.25	22	20	
				2	12	12.25	22	20	
				3	12	12.25	22	20	
S6630	495	6	30	1	12	12.25	22	32	75
				1.25	12	12.25	22	32	
				1.50	12	12.25	22	32	
				2	12	12.25	22	32	
S8815	355	8	15	2	13.5	15.5	29	17	100
				3	13.5	15.5	29	17	
				4	13.5	15.5	29	17	
S8830	635	8	30	2	13.5	24	38	32	125
				3	13.5	24	38	32	
				4	13.5	24	38	32	

All dimensions are approximate.