

# GEIGER HARMSCO®

## Pre-Engineered Skid Mounted Systems

Commercial/Industrial/Municipal

**Make the best filters work better with pre-engineered skid systems by Geiger.**

**Geiger systems feature Harmsco® Hurricane® Swing Bolt housings for unsurpassed performance.**

- Improve reliability while reducing labor and installation costs.  
Instant system price quotes.  
Quick lead times.  
Competitively priced.



**HUR 1X170 Triplex**

### Features

- ▶ Fabricated steel base
- ▶ Isolation and check valves
- ▶ Automatic timer controlled filter purge
- ▶ Liquid filled stainless steel pressure gauges
- ▶ Modular suction and discharge header piping
- ▶ NEMA 4X control panel with filter service indicators
- ▶ Differential pressure switches to monitor filter status

### Custom Configurations Available

### Applications

- ▶ Municipal Drinking Water
- ▶ Cooling Tower Filtration
- ▶ Desalination Pre-filtration (coated option)
- ▶ Surface Water Treatment Rule (SWTR) I, II
- ▶ Industrial Waste Water Treatment
- ▶ Reverse Osmosis Pre-filtration
- ▶ Ground Water Remediation
- ▶ Ground Water Under Direct Influence (GUDI)



## Standard Configurations

- ▶ **Housings** - HUR 90, 1X170, 3X170
- ▶ **Configurations** - Duplex, Triplex and Quad standard; custom configurations available.
- ▶ **Cartridges** - any Harmsco® cartridges
- ▶ **Material** - stainless steel, PVC and carbon steel header material



HUR 90 Duplex



HUR 90 Quad



HUR 1X170 Duplex



HUR 1X170 Triplex

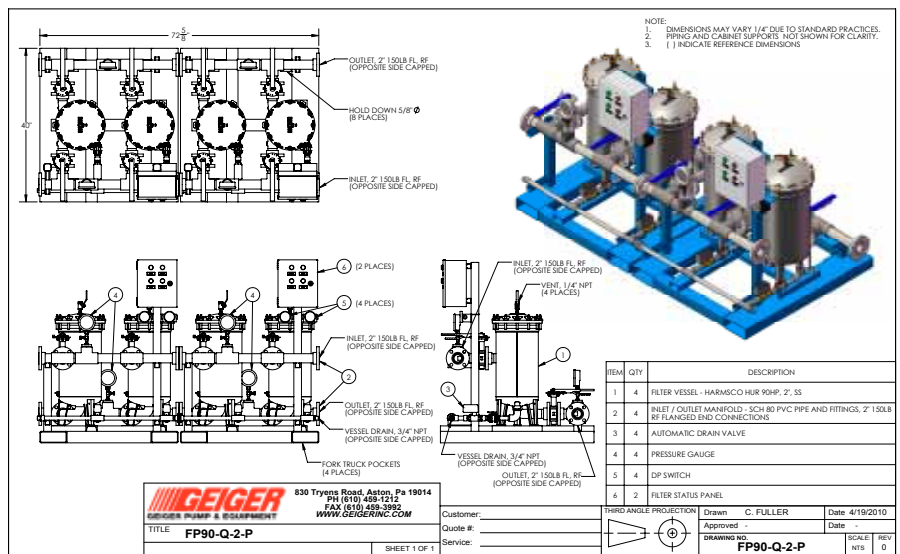


HUR 3X170 Duplex

Every Geiger standard skid system quotation comes with detailed product information, complete dimension drawing, and sample specifications.



Specifications



Drawing: actual size 17x11

## Harmsco® Filter Features

- ▶ Patented Up-flow Design
- ▶ Swing Bolt closure system
- ▶ Four sizes for greater utility - one, three, five and eight cartridges
- ▶ The industry's largest selection of cartridge options
- ▶ Electro-polished finish - standard
- ▶ Built to ASME design standards
- ▶ Combination cyclone separator and cartridge filter in a single compact design
- ▶ 304 stainless steel housing and internal components - standard

**Note:** This publication is to be used as a guide. The data within has been obtained from many sources and is considered to be accurate. Harmsco does not assume liability for the accuracy and/or completeness of this data. Changes to the data can be made without notification. Temperature, Pressure, Flow Rates, Differential Pressures, Chemical Combinations and other unknown factors can affect performance in unknown ways. **Limited Warranty:** Harmsco warrants their products to be free of material and workmanship defects. Determination of suitability of Harmsco products for uses and applications contemplated by Buyer shall be the sole responsibility of Buyer. The end user/installer/buyer shall be liable for the product's performance and suitability regarding their specific intended applications. End users should perform their own tests to determine suitability for each application.

**Geiger Pump & Equipment Company**

830 Tryens Road, Aston, PA 19014 (800) 969-8383

E-mail: info@geiger-harmsco.com

[www.geiger-harmsco.com](http://www.geiger-harmsco.com)